

PATCH PANEL - ANGLED HOLDERS

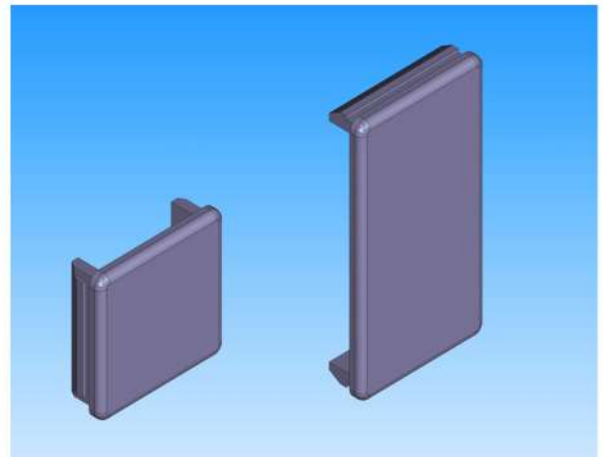
DUMMY PLUGS

Field of Application

Designed for filling the cutouts on the places where you don't have angled adapters.

Features:

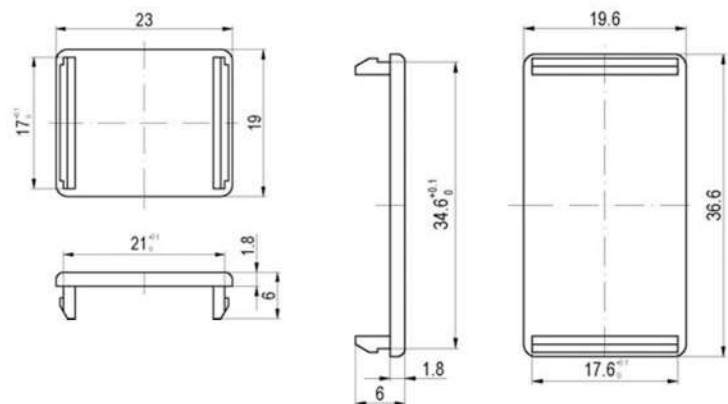
- Easy instalation on front plate, fixing without screws
- For front plate thickness 1,2mm
- Material: ABS plastic, Black
- For sx and dx cutouts
- For 2 diferent type of cutouts (AH STANDARD, AH SPECIAL)



AH STANDARD CUTOUTS

Dummy Plug for AH STANDARD Sx cutout
Ordering code: DST sx

Dummy Plug for AH STANDARD Dx cutout
Ordering code: DST dx



AH SPECIAL CUTOUTS

Dummy Plug for AH SPECIAL Sx cutout
Ordering code: DSP sx

Dummy Plug for AH SPECIAL Dx cutout
Ordering code: DSP dx

