

# WMOPP – Wall Mount Optical Patch Panel



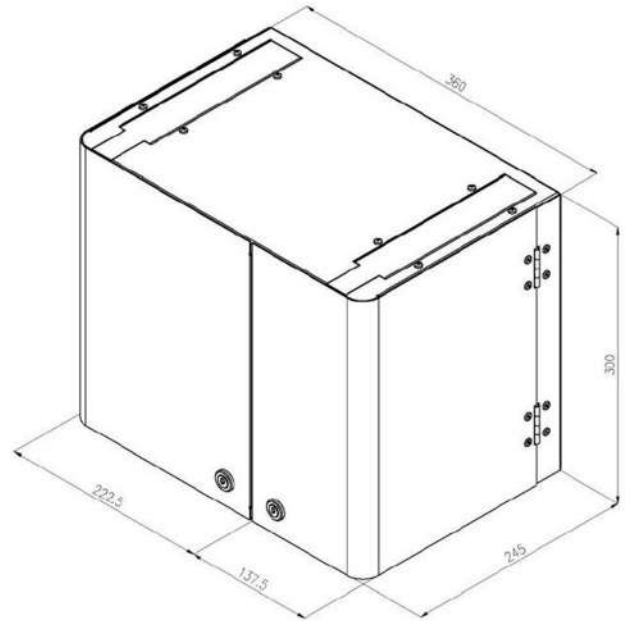
## WMOPP - Wall Box 8

### Features:

- For indoor application
- Robust steel housing, sidewalls and doors, nice appearance
- Powder coated Light Grey (RAL 7035)
- Customer /subscriber separation secured with two different keys (option)
- Fixing set is included in the scope of delivery
- Can support up to 8 Plug in modules
- It has 4 holes for incoming-outgoing Cables and 4 holes for incomingoutgoing Patch cords all closed with blind covers

### Parts:

1.	Body with doors and locks	1	set	
2.	Entry Cover - Blind	max 4	Pc	Option
3.	Entry Cover - 4 holes for PG16	max 4	pc	Option
4.	PG 16 Gland	max16	pc	Option
5.	Fixing material	1	set	



## WMOPP - Wall Box-8 / X1\_X2/X3

X1	Wall Box Type
T1	Carrier Type
T2	Patch - Splice Trough Type

X2/X3/X4	Entry Covers	Min	Max
	Blind Cover	A	0 4
	Cover with PG16 Cable Gland	B	0 4
	Cover with 4 pcs PG16 Cable Gland	C	0 4

- NOTES:
1. Wall Box8 can support up to 8 pcs of Carriers or Adapters plates and have 4 positions for Entry Covers
  2. When is ordered WB-Patch-Splice Through is allways delivered with: Splice Cassette ZK06 with Cower and Hinges-4sets, Splice Protectors Holder-8pcs
  3. Wall fixation kit is allways included